



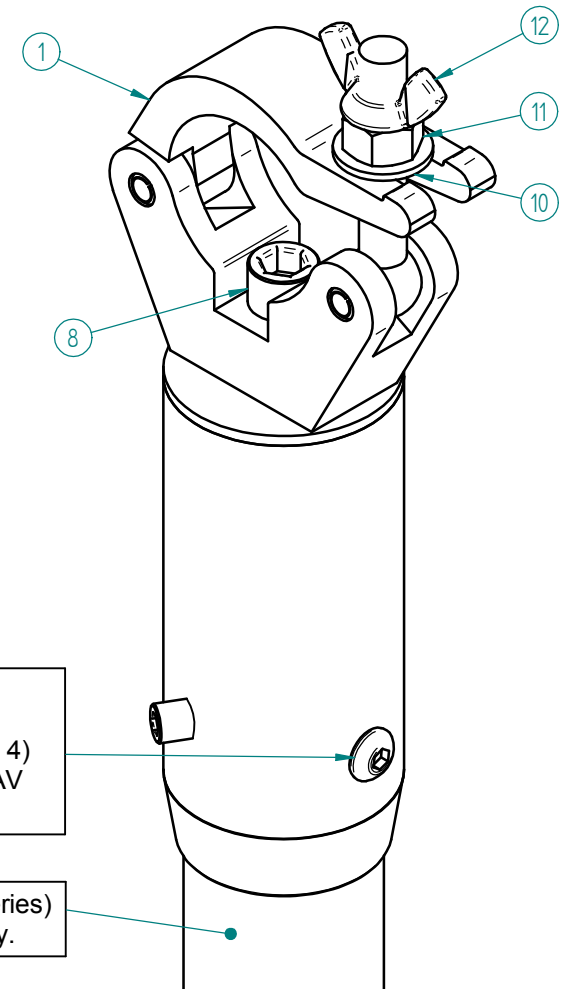
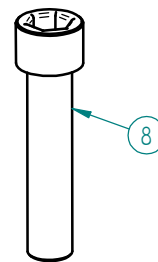
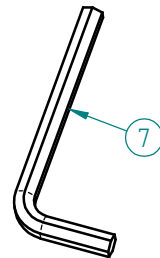
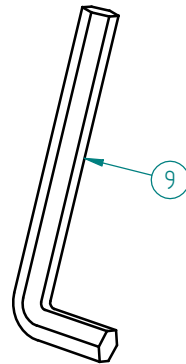
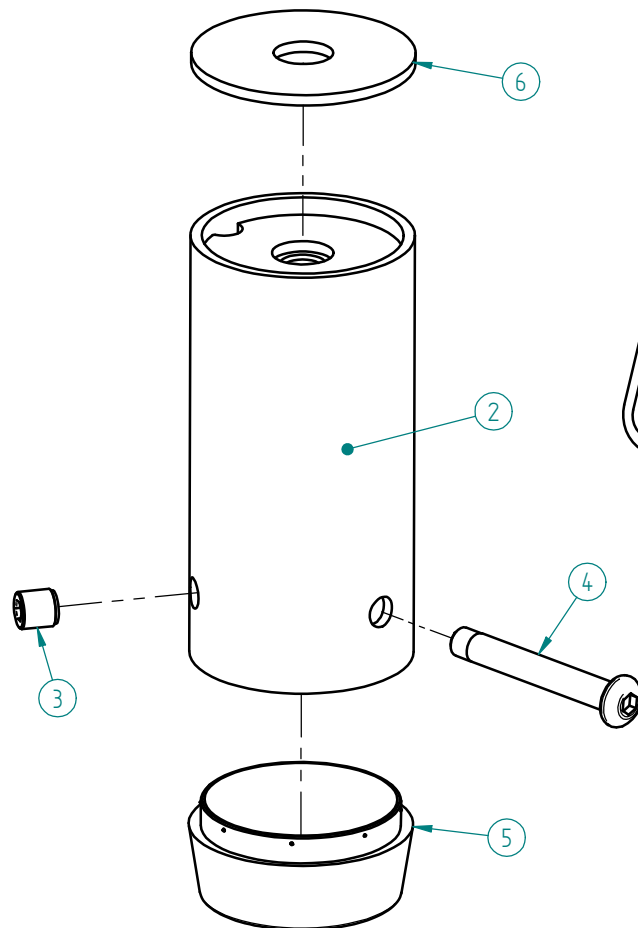
BT7825

TRUSS CLAMP ADAPTOR FOR 50MM POLES

PARTS LIST

No	PART NAME	DESCRIPTION	QTY
1	TRUSS CLAMP BODY	CLAMPS DIRECT TO TRUSS	1
2	POLE CLAMP TUBE	FIXES TO TRUSS CLAMP	1
3	M10 X 10 GRUB SCREWS	CLAMPS 50MM POLE RIGID	2
4	M8 X 60 SAFETY BOLT	PASSES THROUGH POLE	1
5	TAPER MOULDING	SLIDES OVER 50MM POLE	1
6	WASHER M16 OD60 T3	SITS UNDER TRUSS CLAMP	1
7	5MM ALLEN KEY	TO TIGHTEN PARTS 3 + 4	1
8	M12 X 50 CAP HEAD	BOLTS PART 1 TO PART 2	1
9	10MM ALLEN KEY	TO TIGHTEN PART 8	1
10	WASHER ID13 OD25 T1.8	SITS UNDER NUT PART 11	2
11	M12 PLAIN NUT	PROVIDES CLAMP FORCE	1
12	M12 WING NUT	LOCKS PART 11 IN PLACE	2

PLEASE KEEP THIS PARTS LIST FOR FUTURE REFERENCE



Attention!

Ensure safety bolt (Part 4) is in place before any AV equipment is fitted

50mm Poles (BT7850 Series) are all sold Separately.

B-Tech International Ltd,

Long March, Daventry, Northants NN11 4NR, UK.
Tel: +44 (0)1327 300 787 Fax: +44 (0)1327 706 562
Email: info@b-tech-int.com

B-Tech PRO-AV bvba,

Brixtonlaan 32, Zaventem 1930, Brussels, Belgium.
Tel: +32 (0)2 720 92 71 Fax: +32 (0)2 725 42 15
Email: info@btechproav.com

B-Tech Audio Video Mounts,

Buffalo, NY 14215, USA.
Tel: (1)800 975 5812 Fax: (1)800 592 2876
Email: info@btechavmounts.com

B-Tech International (Hong Kong) Ltd,

23rd Floor, Manulife Tower, North Point, HK.
Tel: (+852) 2556 7337 Fax: (+852) 2556 7321
Email: info@b-tech-int.com.hk

www.btechavmounts.com